
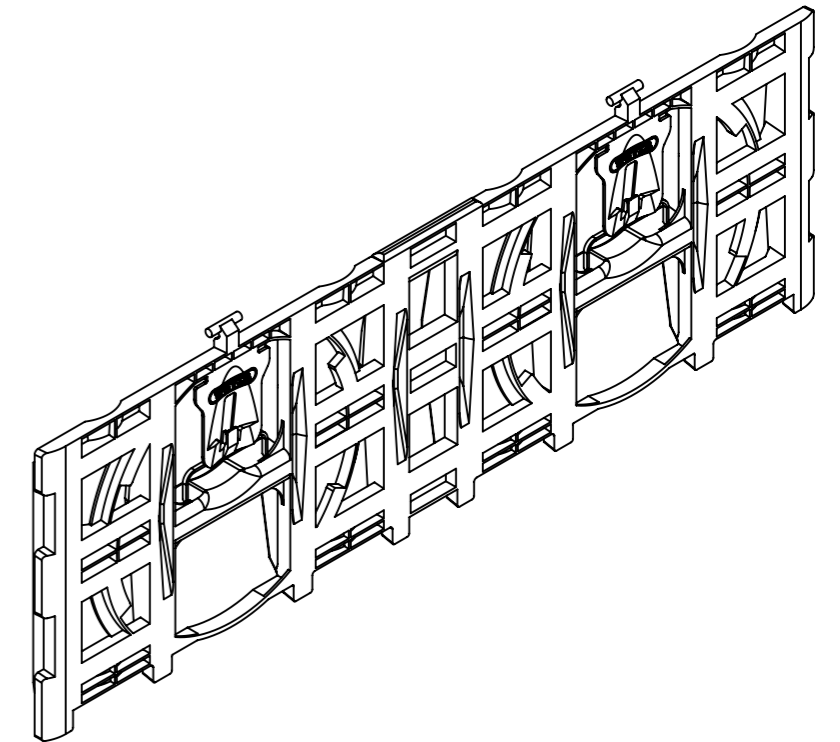
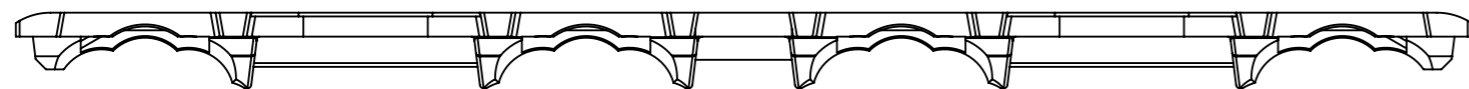
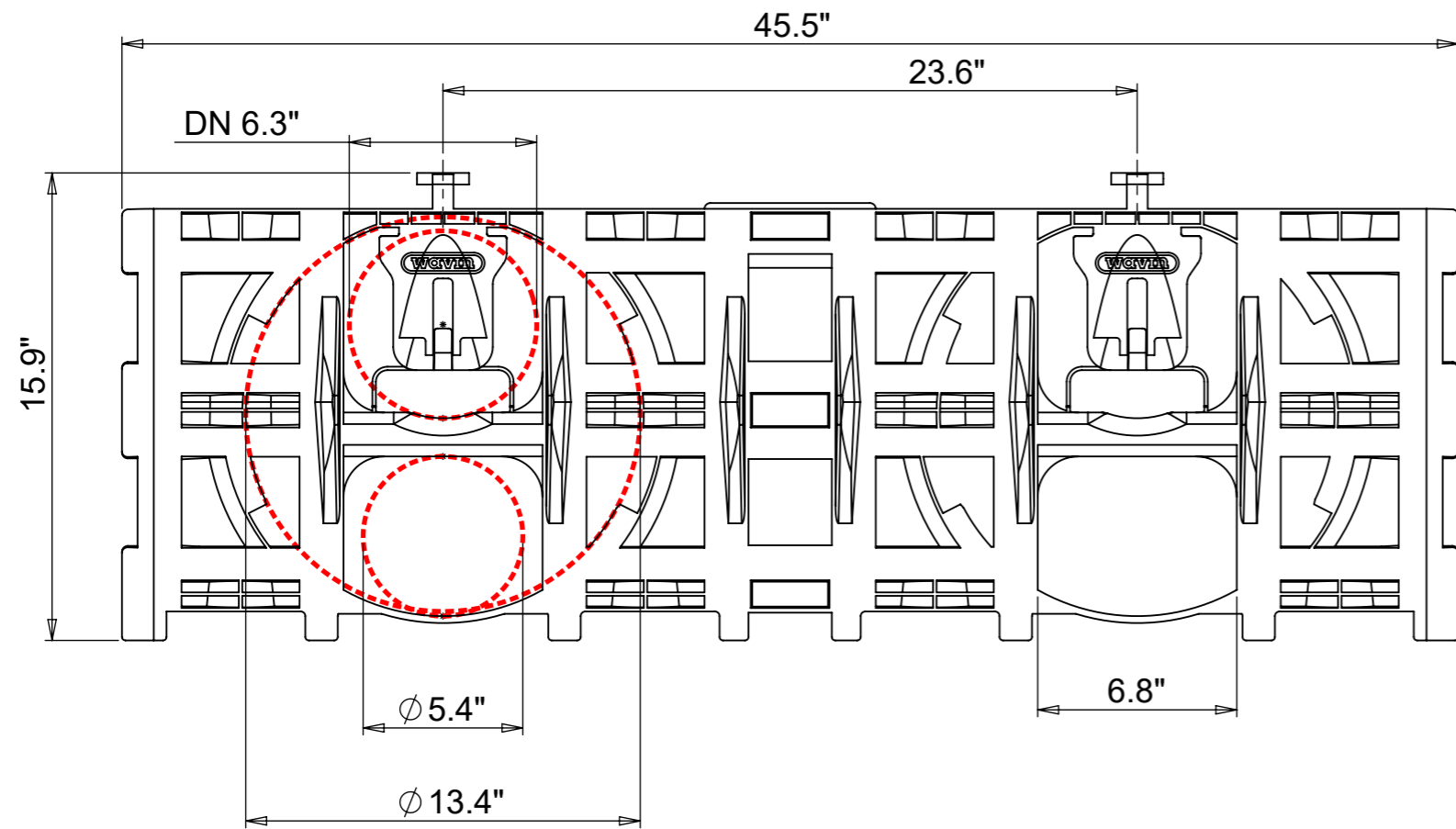

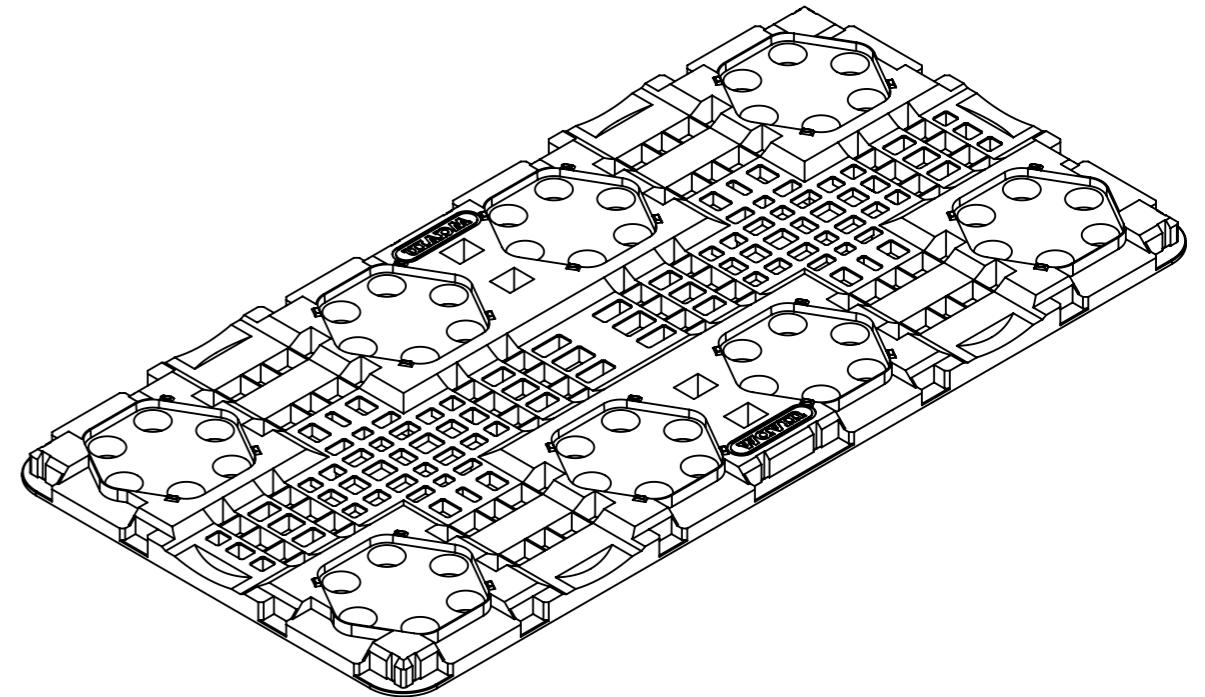
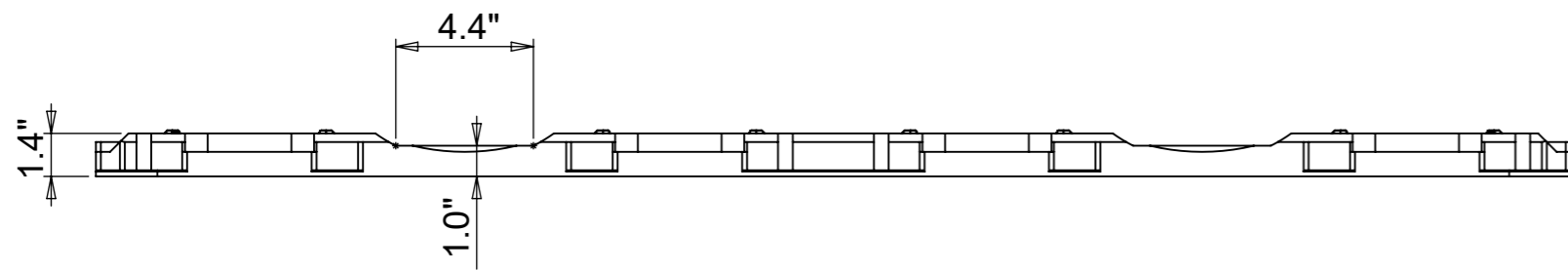
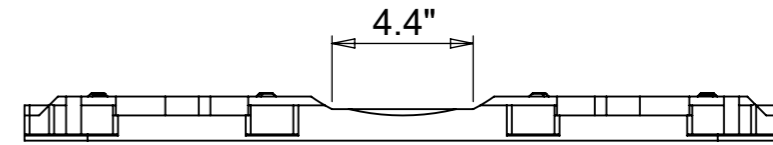
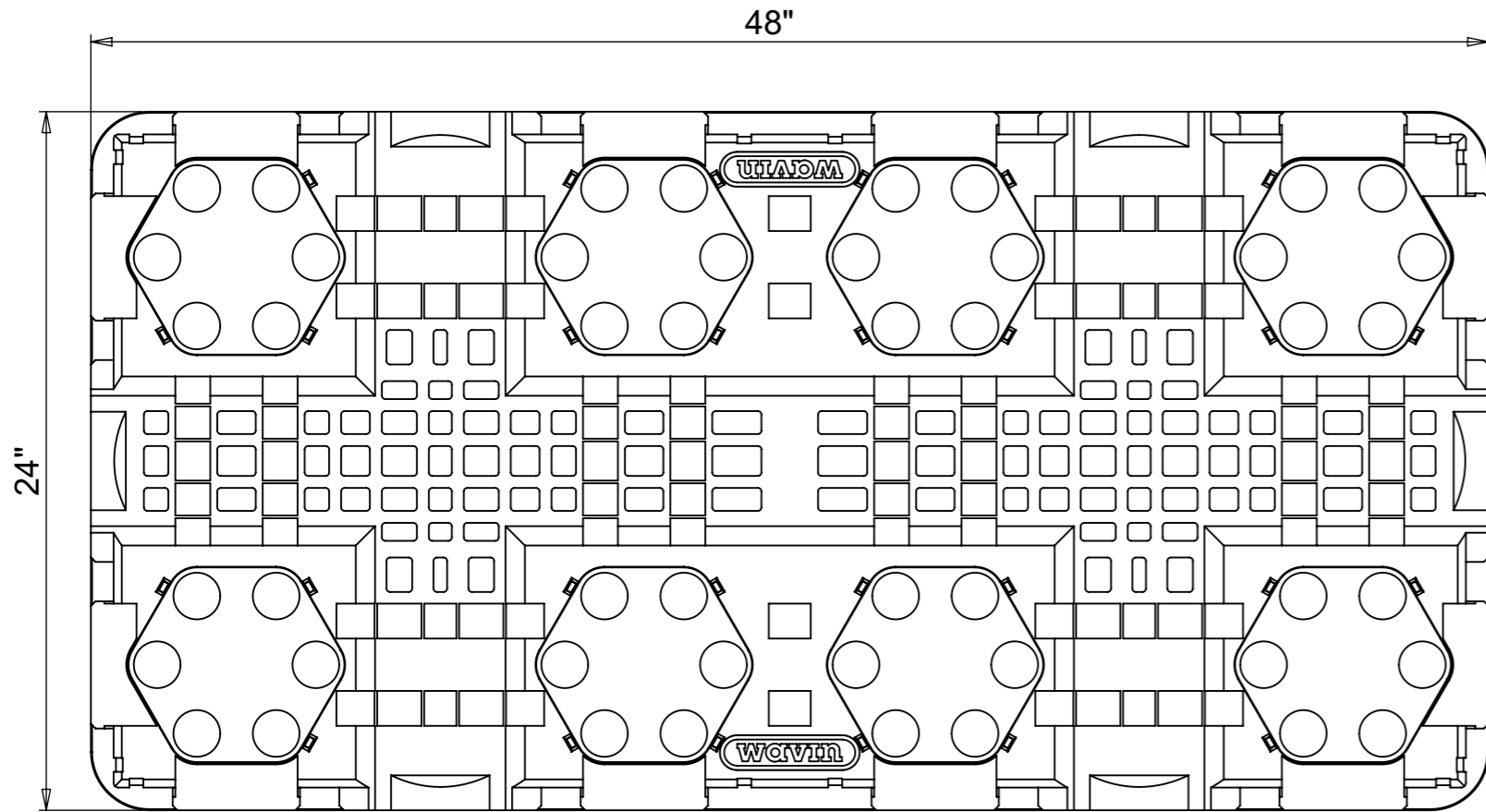



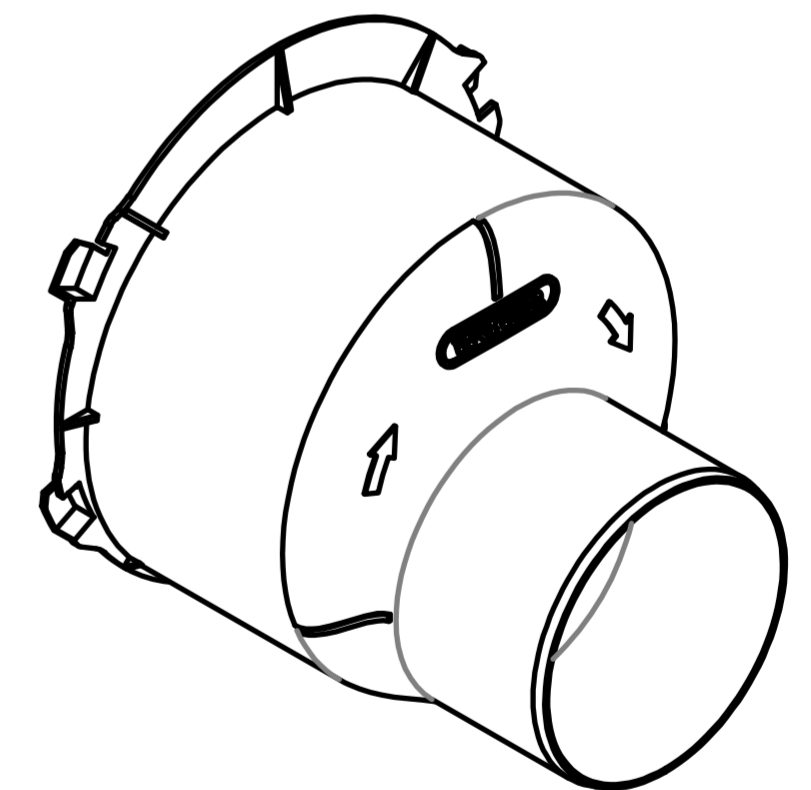
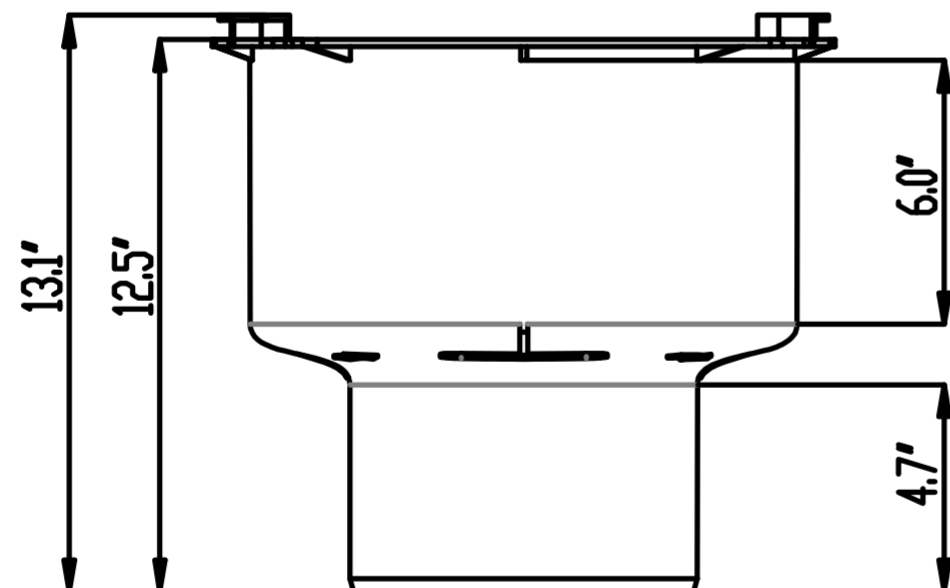
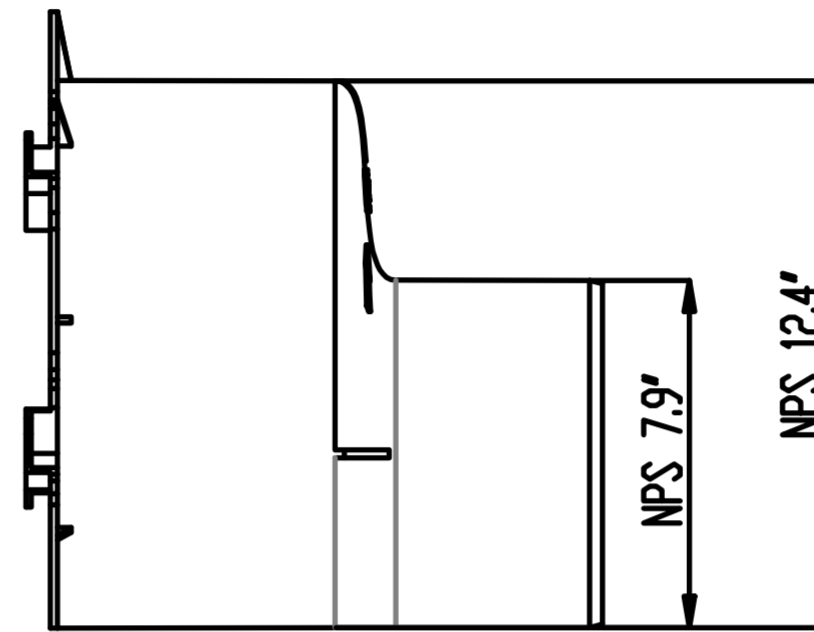
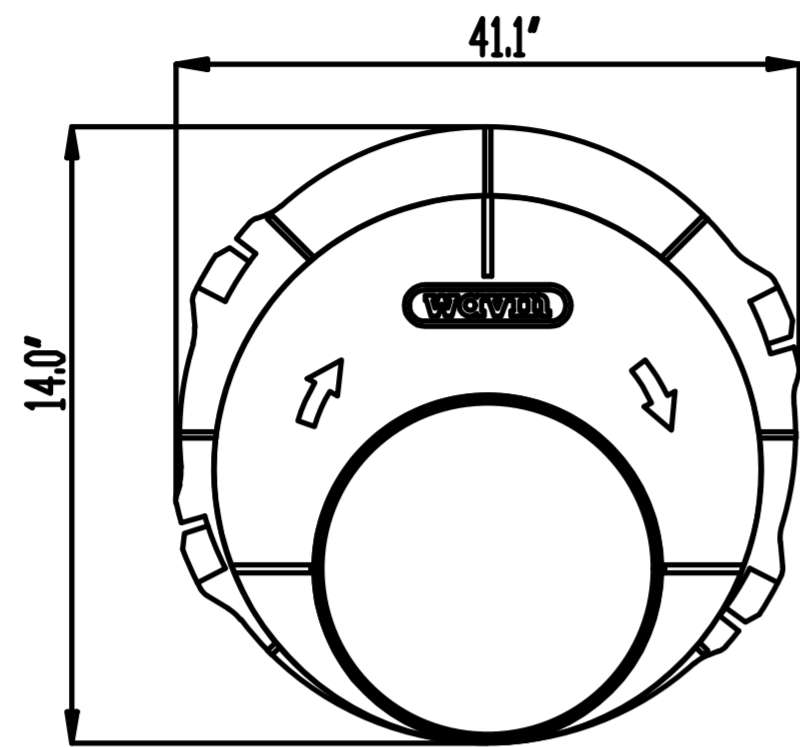
0	First Edition	13-02-20	MSC	HJJ
Rev.	Description	Date	Drawn	Checked
Material:	Units:	Projection:	Scale:	Format:
SWM Recycled PP	mm ISO 2768-m	☉ ↙	1:6	A3
	Description:	New-AquaCell (Unit) Marketing drawing		Drawn: MSC
	Drawing No:	Article No:	Sheet:	Revison:
	18-3411_Simplified		1 of 1	0




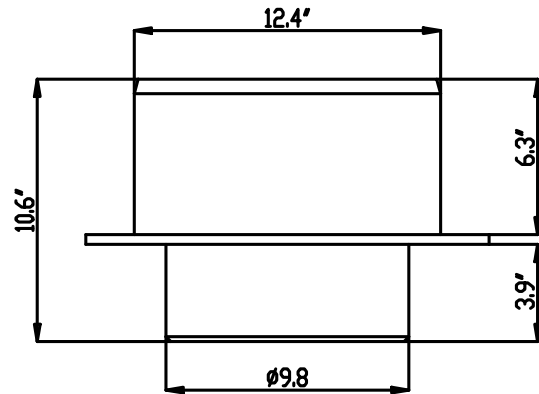
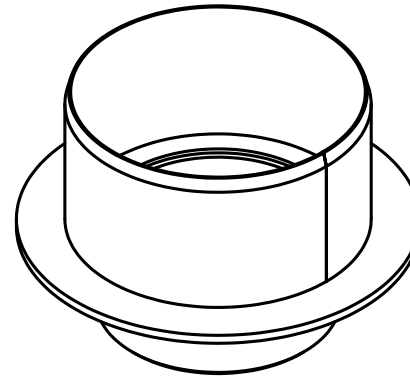
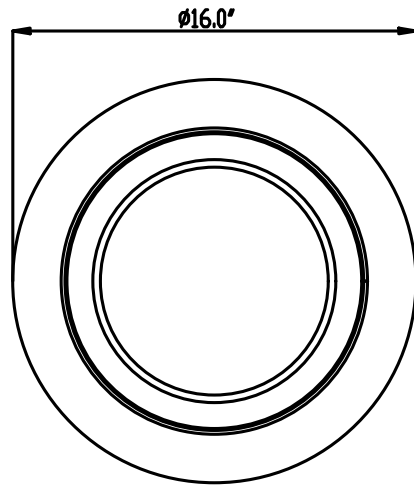
0	First Edition	13-02-20	MSC	HJJ	
Rev.	Description	Date	Drawn	Checked	
Material:	SWM Recycled PP	Units: mm ISO 2768-m	Projection: ⊕ ↙	Scale: 1:6	Format: A3
		Description: New-AquaCell (Side plate)		Drawn: MSC	
		Marketing drawing		Date: 13-02-20	
Drawing No: 19-1522_simplified		Article No:		Sheet: 1 of 1	Revision: 0




0	First Edition	13-02-20	MSC	HJJ	
Rev.	Description	Date	Drawn	Checked	
Material:	SWM Recycled PP	Units: mm ISO 2768-m	Projection: ⊙ ↙	Scale: 1:6	Format: A3
 Wavin Technology & Innovation BV		Description: New-AquaCell (Bottom plate) Marketing drawing		Drawn: MSC	
		Drawing No: 19-1723_Simplified	Article No:	Date: 13-02-20	
			Sheet: 1 of 1	Revison: 0	

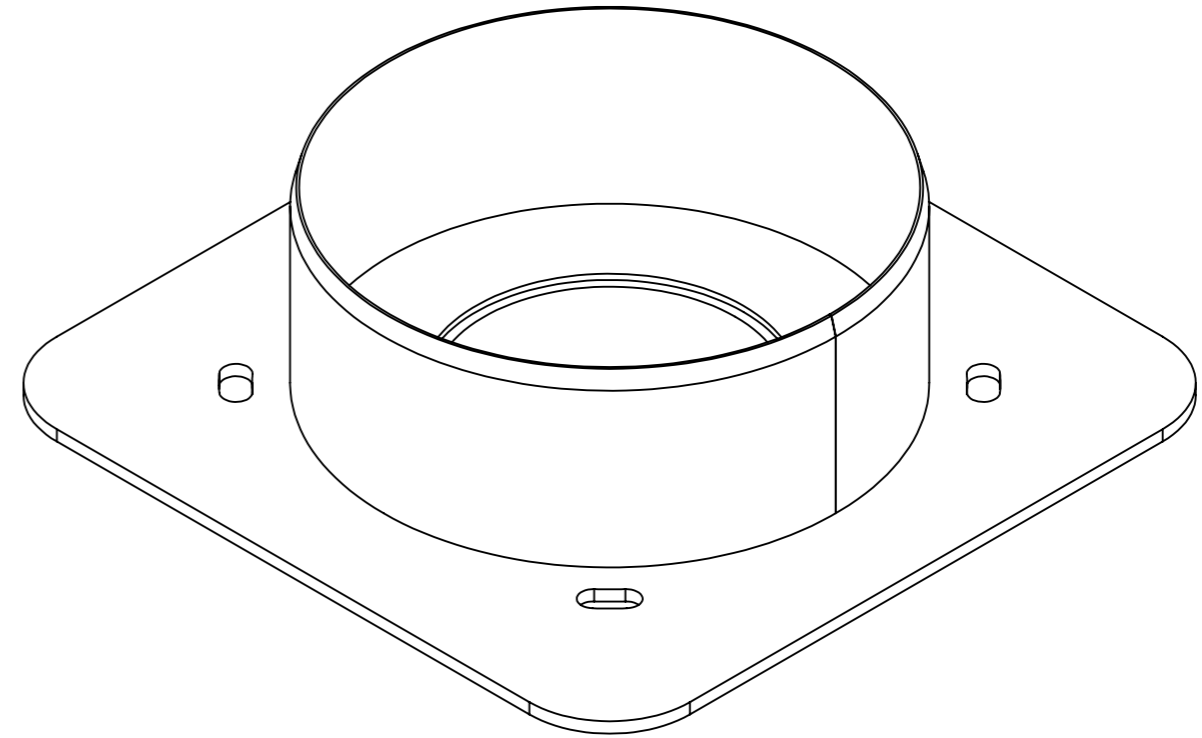
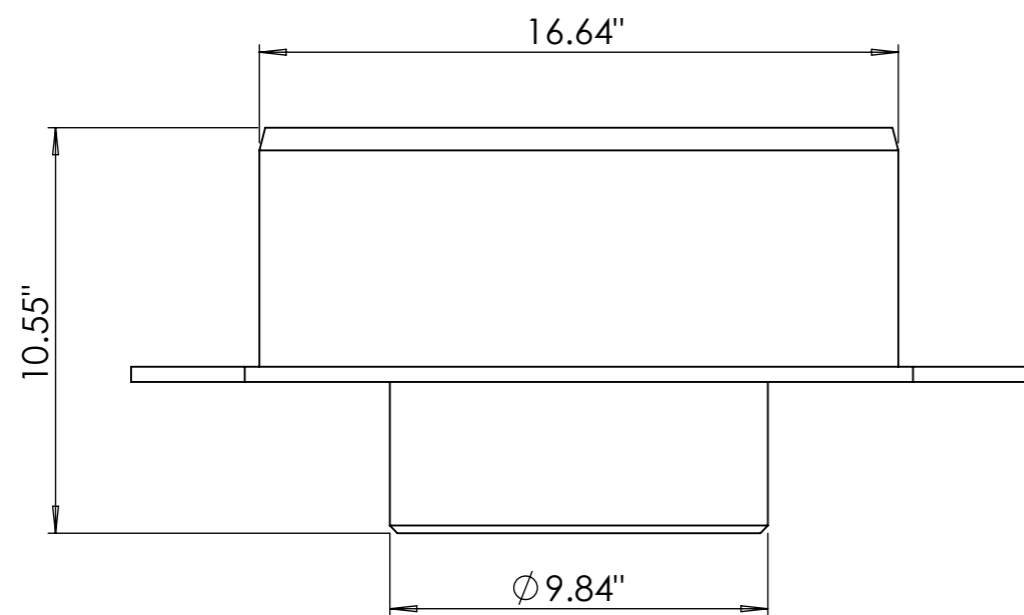
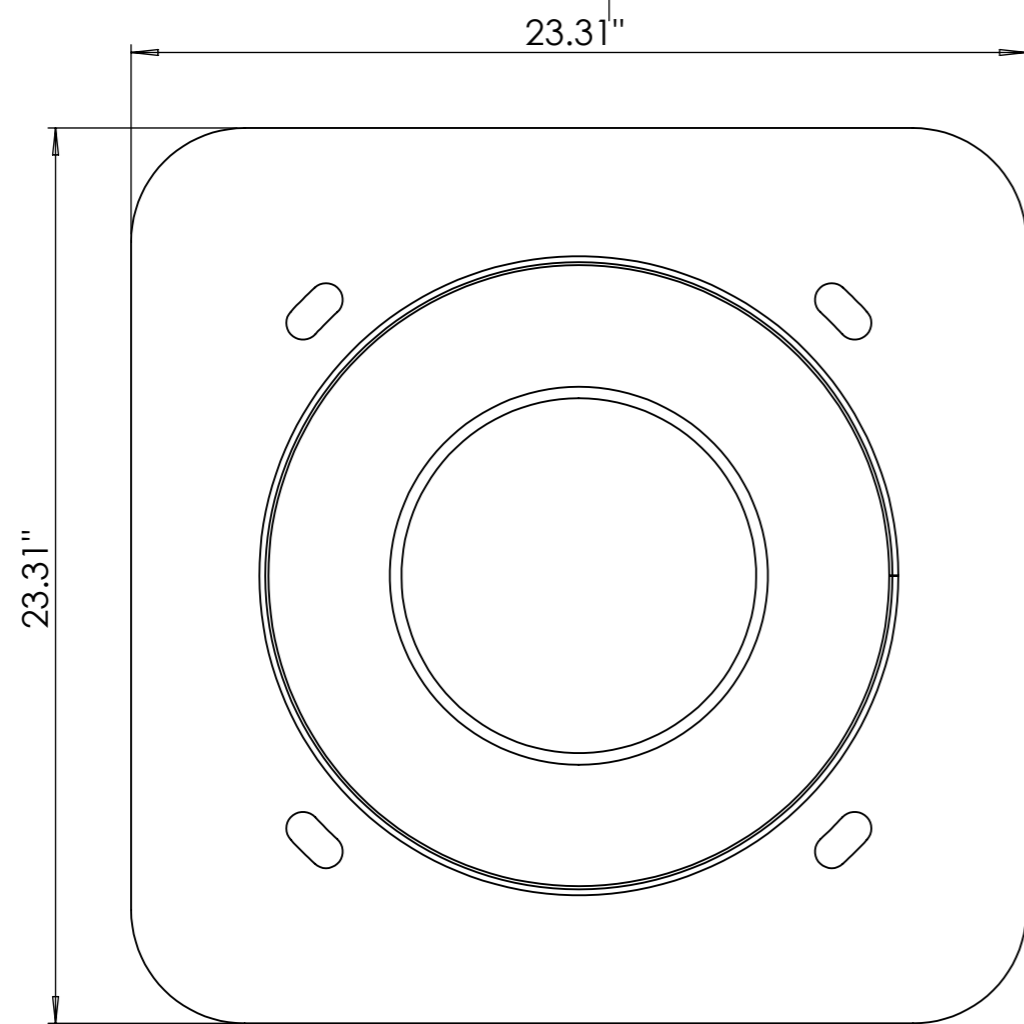




0	First Edition	13-02-20	MSC	HJJ
Rev.	Description	Date	Drawn	Checked
Material	Unit	Projection	Scale	Format
SVM Recycled PP	Inches ISO 2768-n	⊙	1:1	
 Wavin Technology & Innovation BV	Description	Drawn	Date	
	Marketing drawing	MSC	13-02-20	
Drawing No	Article No	Sheet	Revision	
19-1500-Simplified		1 of 1	0	



0	First Edition	20-08-20	MBA	MSC
Rev.	Description	Date	Drawn	Checked
Material	Volume (cm³)	Status	Scale	Format
		PRODUCT RELEASED	15	A3
		PN	ISO 2768-n	
 Wavin Technology & Innovation BV		Description	Drawn	Checked
		AquaCell (315 Top adapter) Marketing drawing	MBA	
Drawing No		Article No	Sheet	Revision
20-1876_4			1 of 1	0

The document contains confidential information of Wavin Technology & Innovation BV. It is not to be distributed outside the company without the express written consent of Wavin Technology & Innovation BV. All rights reserved.



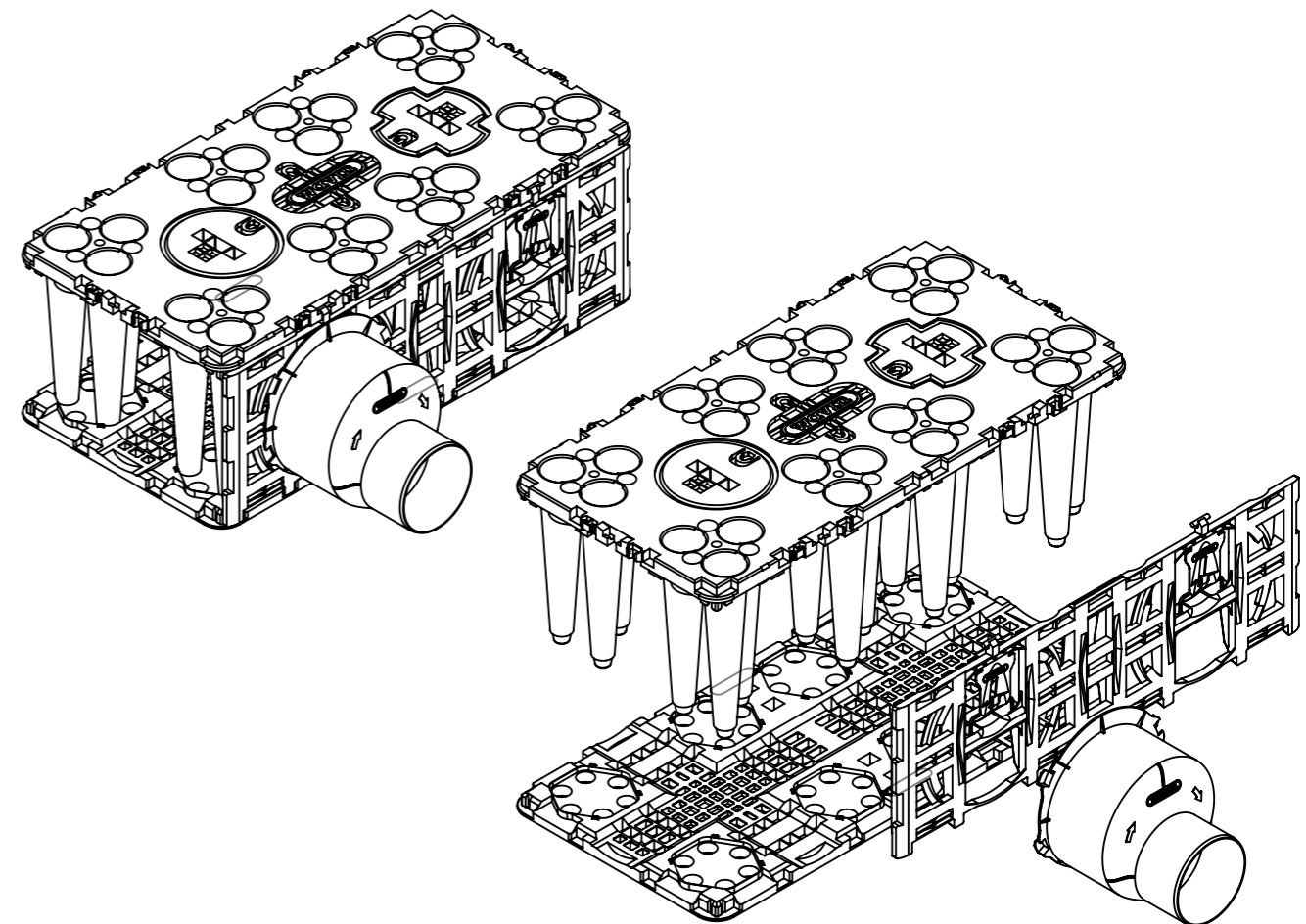
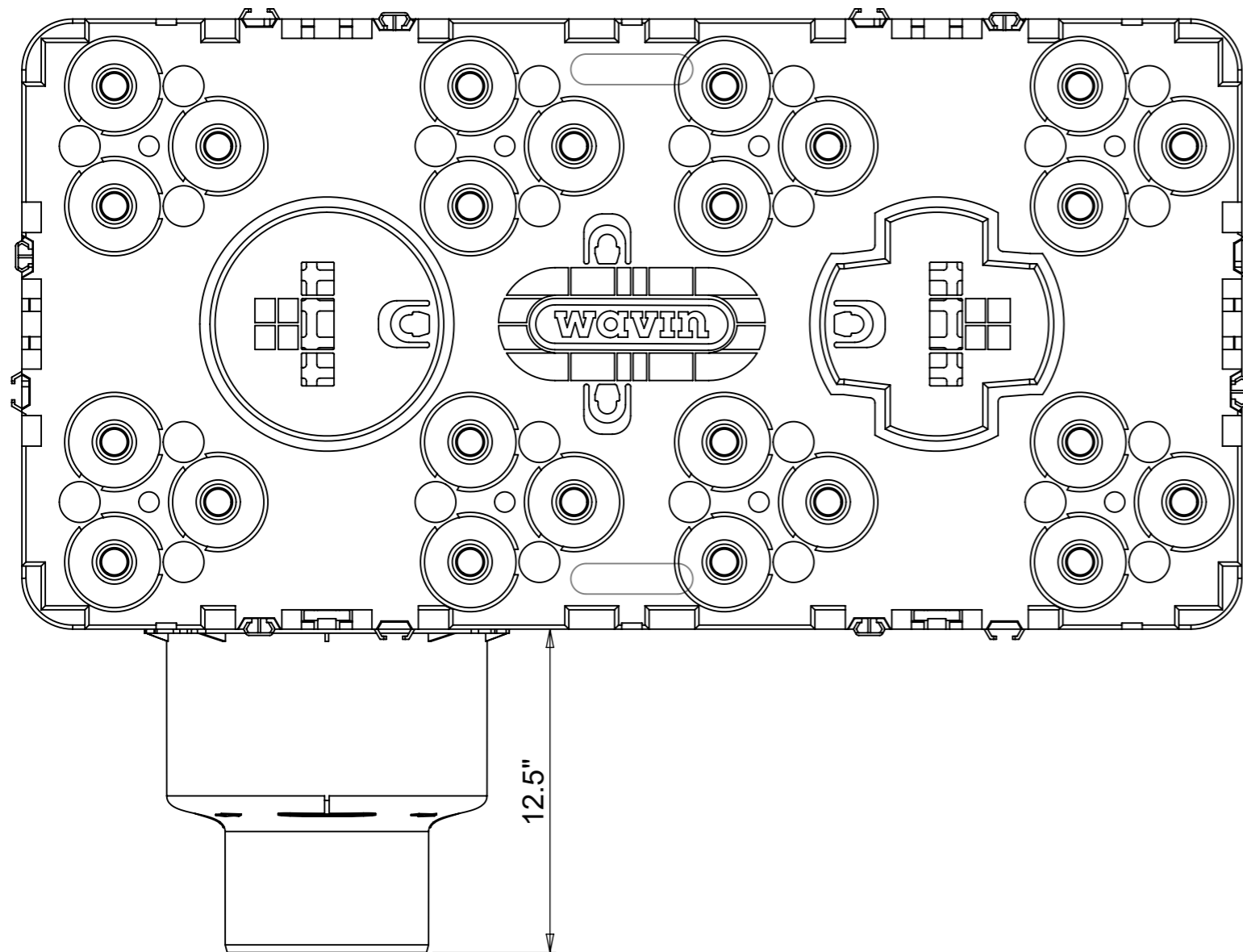
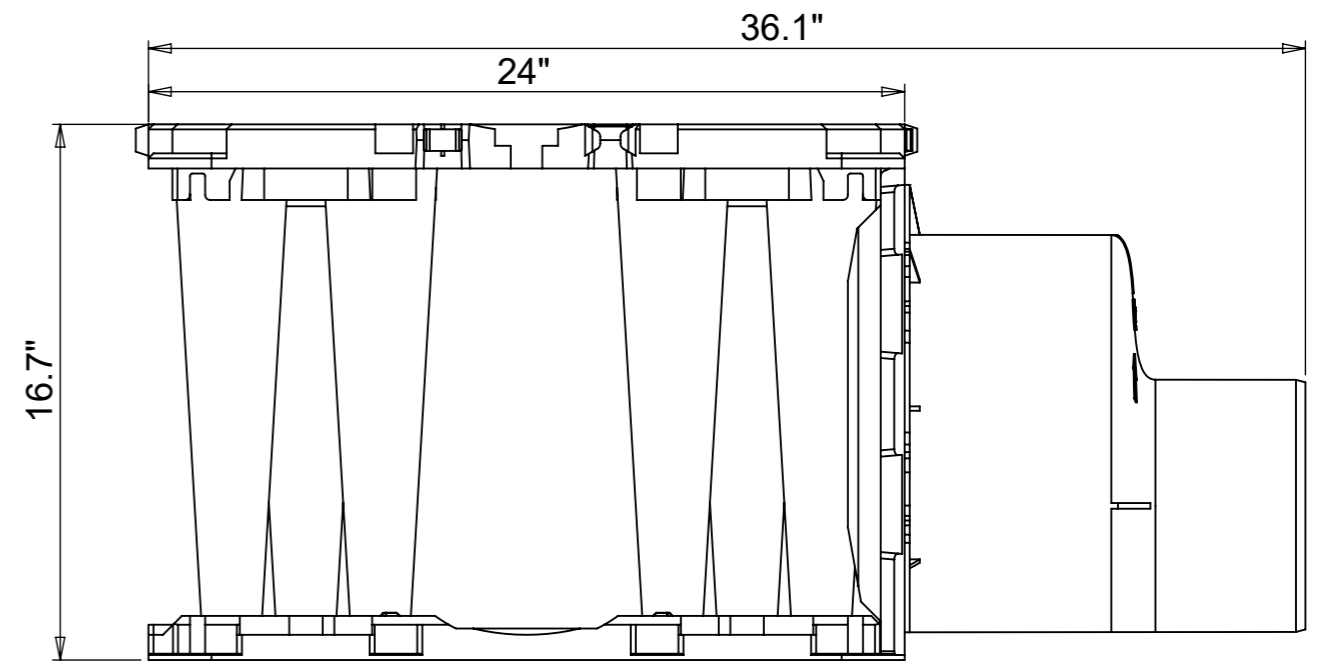
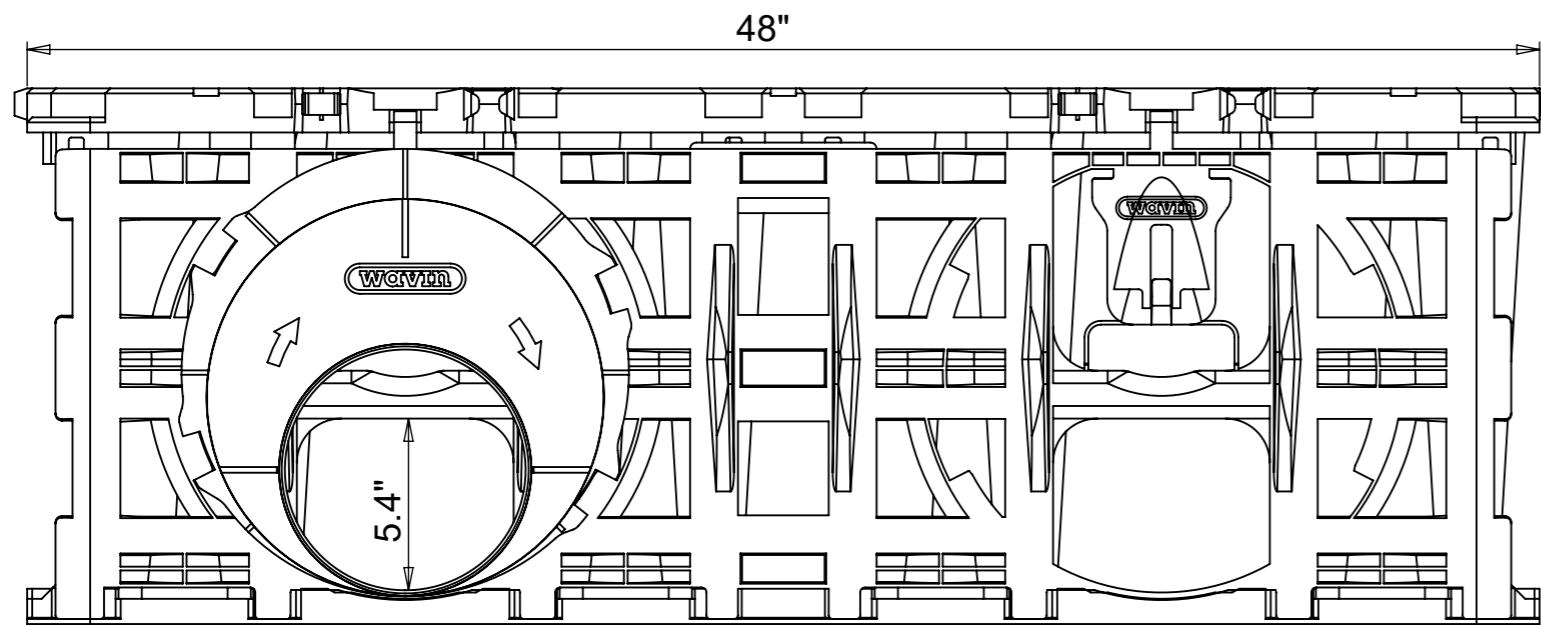
A	Changed to product released + drw update	14-05-20	MBA	MSC
0	First Edition	01-05-20	MBA	MSC
Rev.	Description	Date	Drawn	Checked
Material:	Volume (cm ³):	Status:	Units:	Tolerances:
		PRODUCT RELEASED	mm	ISO 2768-m
		Description:	AquaCell (Top adapter) marketing drawing	
Wavin Technology & Innovation BV		Drawing No:	20-1208_4	Article No:
		Projection: 		Scale: 1:10
		Date: 01-05-20		Format: A3
		Sheet: 1 of 1		Revised: A

This Document contains confidential information of Wavin. No reproduction or disclosure of any part hereof to third parties or use hereof is allowed at any time without authorisation in writing by Wavin. All rights are vested in Wavin B.V., Zwolle, The Netherlands.

linear dimensions:
 0.5 - 3 ± 0.1
 3 - 6 ± 0.1
 6 - 30 ± 0.2
 30 - 120 ± 0.3
 120 - 400 ± 0.5
 400 - 1000 ± 0.8
 1000 - 2000 ± 1.2
 2000 - 4000 ± 2

broken edges:
 0.5 - 3 ± 0.2
 3 - 6 ± 0.5
 over 6 ± 1

angular dimensions:
 up to 10 ± 1°
 10 - 50 ± 0°30'
 50 - 120 ± 0°20'
 120 - 400 ± 0°10'
 over 400 ± 0°5'



0	First Edition	13-02-20	MSC	HJJ
Rev.	Description	Date	Drawn	Checked
Material:	Units: mm ISO 2768-m	Projection:	Scale: 1:6	Format: A3
 Wavin Technology & Innovation BV	Description: New-AquaCell (Assembly) Marketing drawing	Drawn: MSC	Date: 13-02-20	
	Drawing No: 19-9001_Simplified	Article No:	Sheet: 1 of 1	Revison: 0