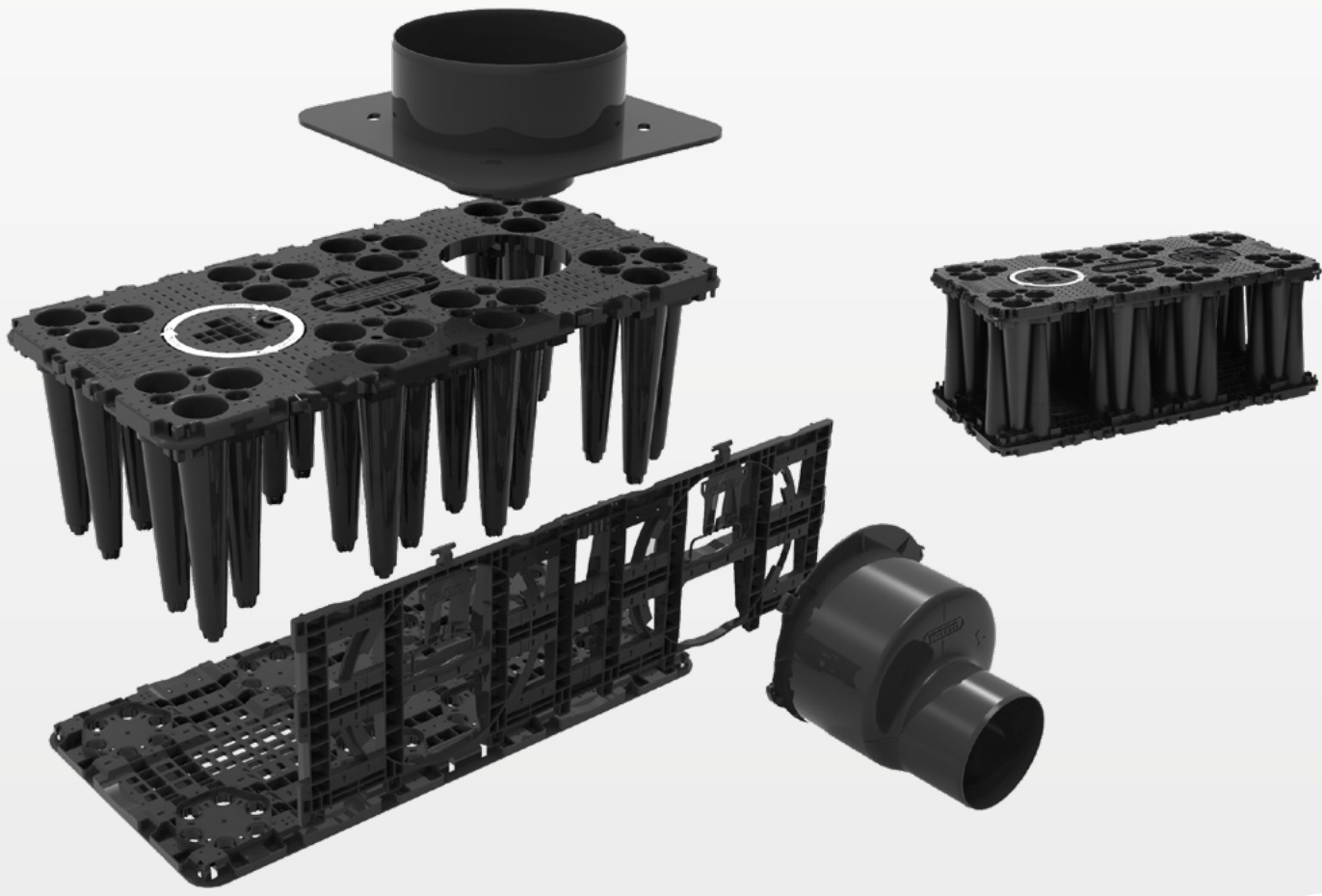
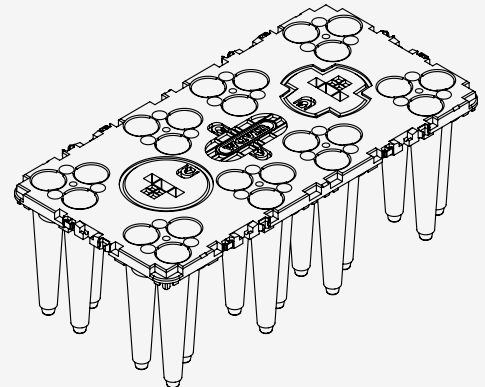
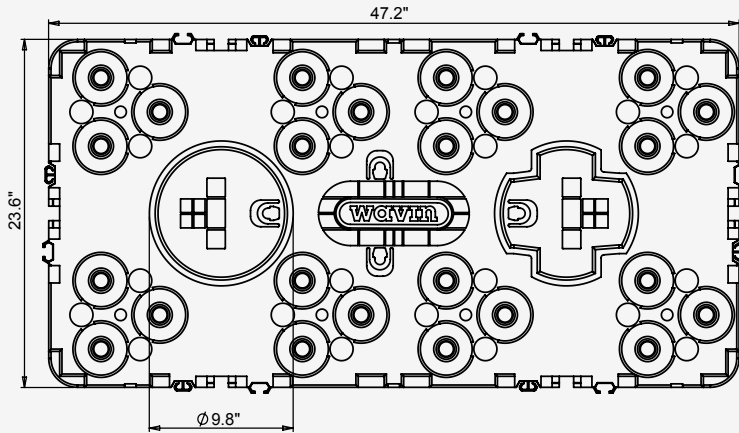
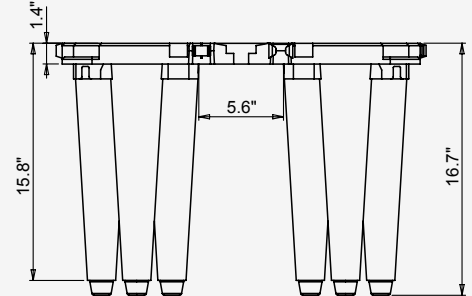
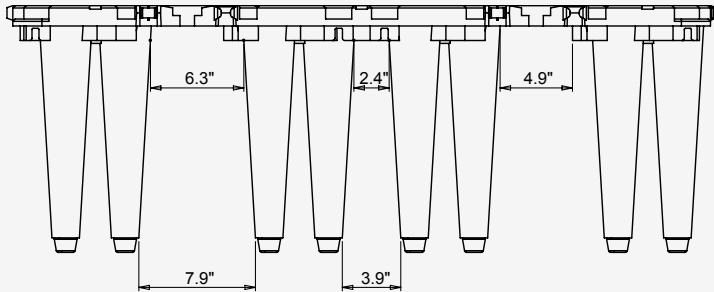


# Wavin AquaCell



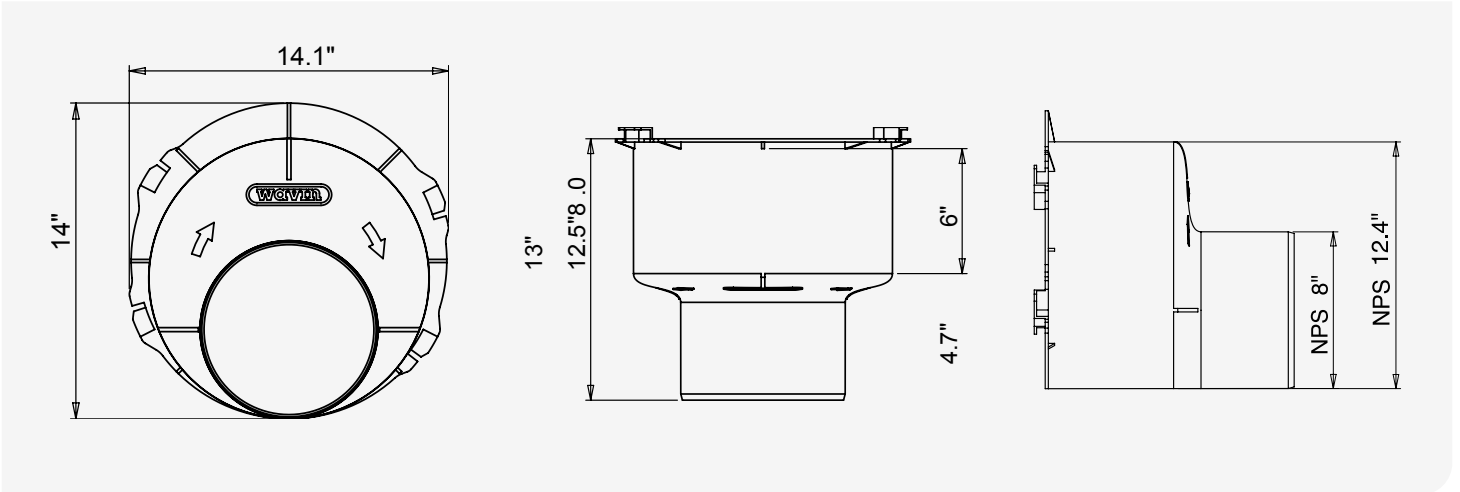
# Base Unit

Recycled Polypropylene (PP)



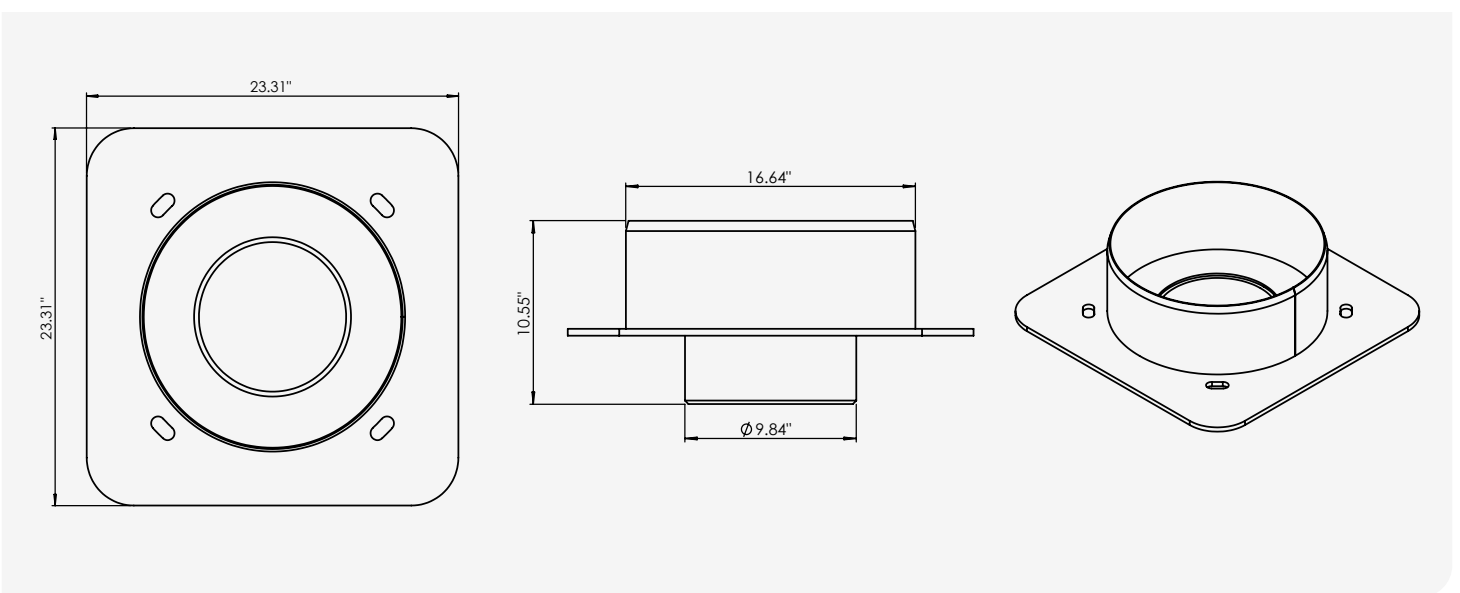
## Pipe Connector

Recycled Polypropylene (PP)



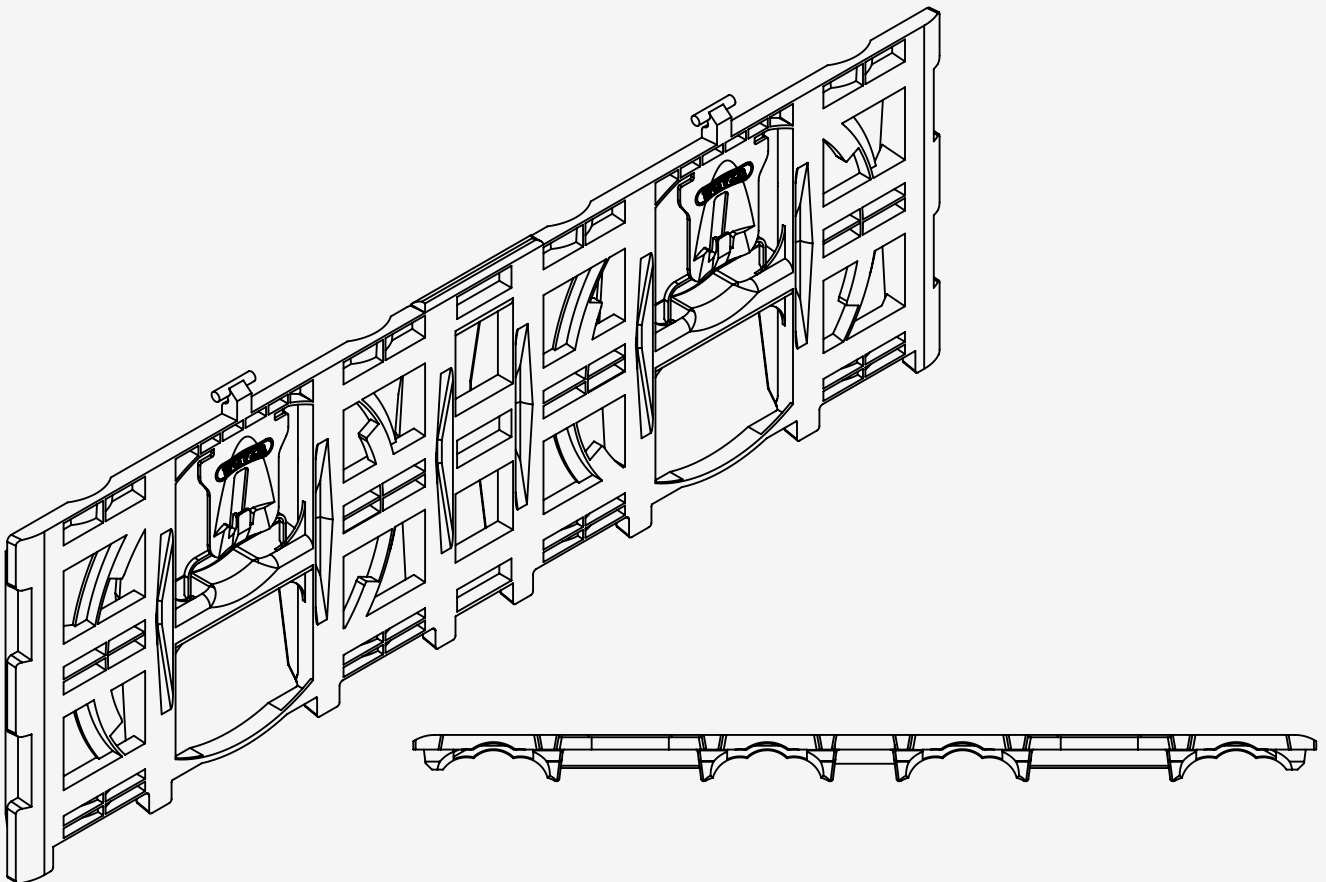
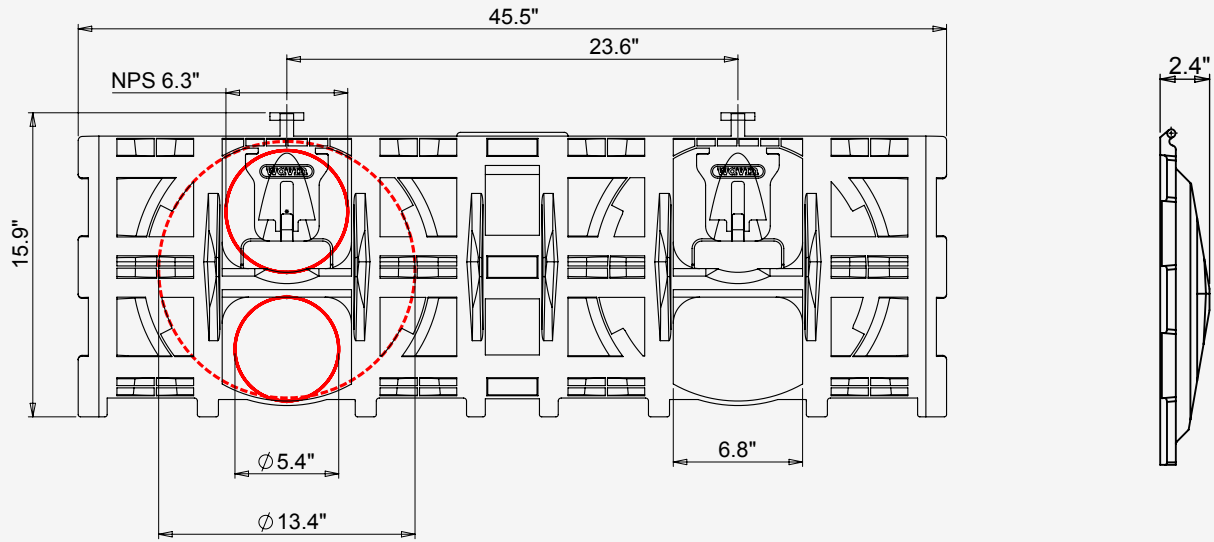
## Top Adapter

Recycled Polypropylene (PP)



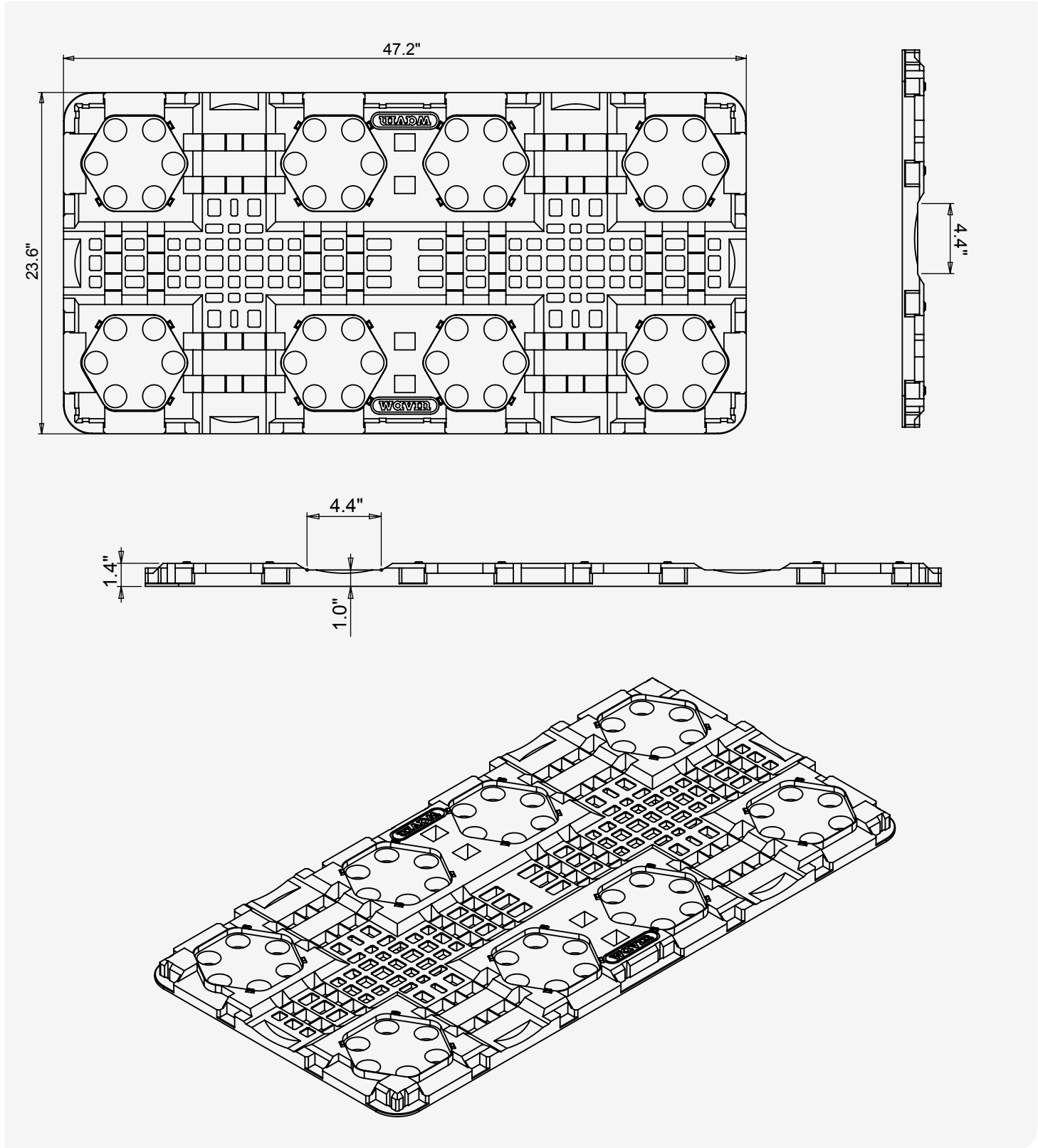
# Side Plate

Recycled Polypropylene (PP)



# Bottom Plate

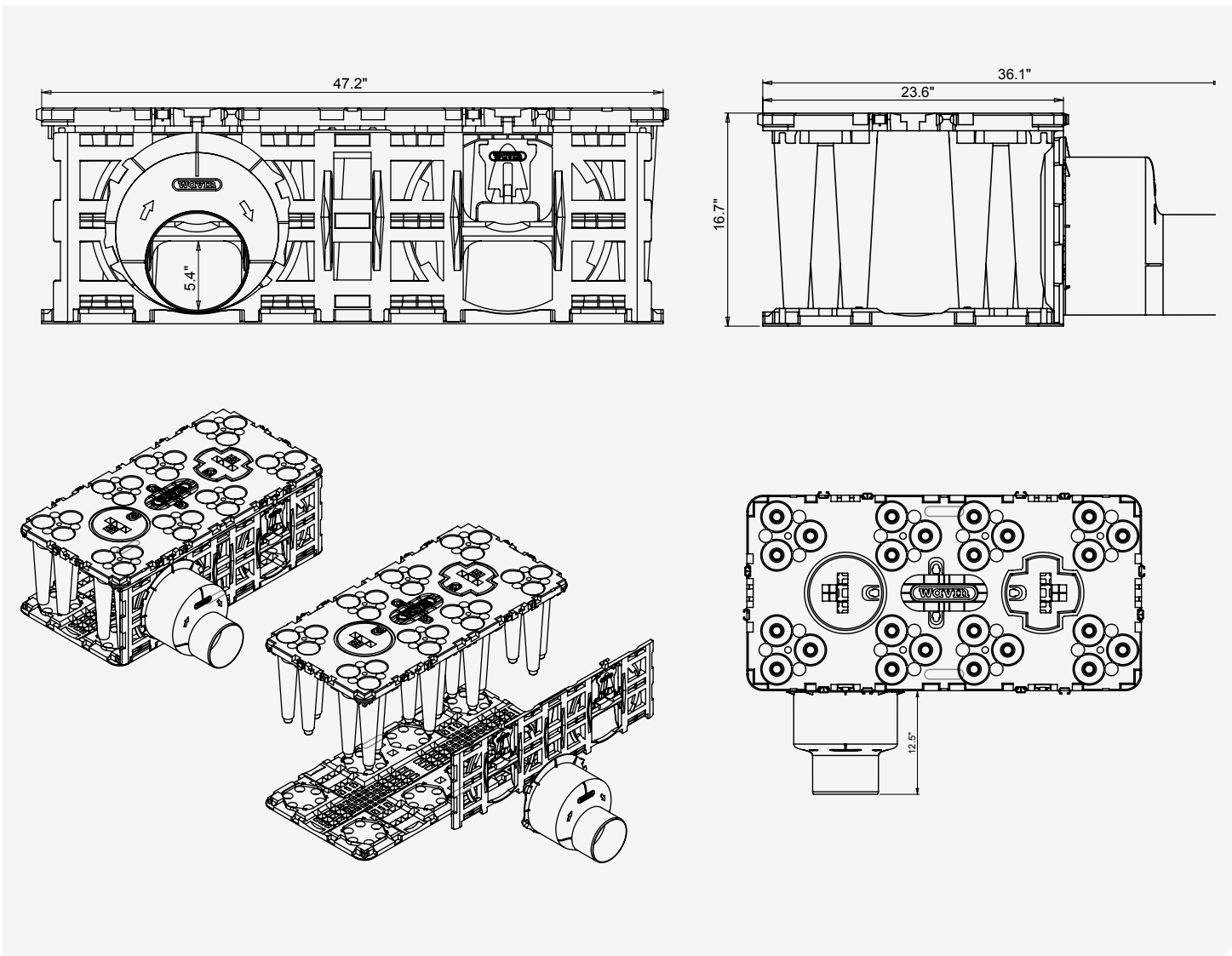
Polypropylene (PP)



# Complete Unit

Recycled Polypropylene (PP)

Description	Part Code	Length (in/mm)	Width (in/mm)	Depth (in/mm)	Weight (lbs/kg)
Base Unit	3091506	48.0 / 1200	24.0 / 600	16.7 / 425	24 / 11
Pipe Connector 8-12 in.	2476631200	14.0 / 355	14.1 / 359	12.4 / 315	3 / 1.3
Side Plate	2476600003	45.5 / 1155	15.9 / 404	2.4 / 60	5 / 2.3
Bottom Plate	2476600001	48.0 / 1200	24.0 / 600	1.4 / 35	8 / 3.6
Top Adapter 12 in.	3085857	16.0/415	16.0/415	10.6 / 268	3 / 1.3
Top Adapter 16 in.	2476842000	23.3 / 592	23.3 / 592	10.6 / 268	11 / 5



## Product Description

Geocellular units for detention and infiltration of rainwater.

The optimal solution for fast installation and total access for inspection and cleaning.



## Storage capacity

Regular Configuration	
Gross Volume / (without bottom plate)	10.25 cf
Net volume / (without bottom plate)	9.74 cf
Void Ratio / (varies by layer/side plates added)	94% - 96%
Extra Strong Configuration	
Gross Volume	11.70 ft <sup>3</sup>
Net Volume	10.84 ft <sup>3</sup>
Void Ratio / (without bottom plate)	92.7%

## Technical information

Dimensions		
Length	48 in	1200 mm
Width	24 in	600 mm
Height	16 in	400 mm
Gross volume (without bottom)	10.25 cf	
Void ratio (varies by layer/side plates)	94-96%	
Weight main unit	24 lb	11kg
Pipe connections	6-12 in	160-315 mm
Tank volume per truck	<11406 ft <sup>3</sup>	<323 m <sup>3</sup>

Accessibility		
Vertical access	10 in	250 mm
Width inspection channel (bottom)	8 in	200 mm
Accessible surface area	54%	

Window of Application*		
Type of load	Regular	Extra strong
H-10 Traffic Loading	12in - 14.4ft 0.30 – 4.40 m	12in - 26.2ft 0.30 – 8.00 m
HS-20 Traffic Loading	24in - 14.4ft 0.30 – 4.40 m	18in - 26.2ft 0.30 – 8.00 m
HS-25 Traffic Loading	32in - 14.1ft 0.80 – 4.30 m	22in - 26.1ft 0.55 – 7.95 m

\*General indication for installation above groundwater level, according to instructions for single layer tanks. For multi-layer tanks, the window of application may be limited. Wavin always recommends a minimum cover of 12 inches (0.3 meter). For specific projects, seek advice of Wavin.

General	
Material	Recycled polypropylene
Color	Black
Connectors	Integrated
Standard	EN17152-1

### Standard Configuration



### Extra Strong Configuration



# Discover our broad portfolio at wavin.us

- Water management
- Heating and cooling
- Water and gas distribution
- Waste water drainage



**wavin**

**orbis** 

Wavin is part of Orbia, a community of companies working together to tackle some of the world's most complex challenges. We are bound by a common purpose: To Advance Life Around the World.

Wavin operates a programme of continuous product development, and therefore reserves the right to modify or amend the specification of their products without notice. All information in this publication is given in good faith, and believed to be correct at the time of going to press. However, no responsibility can be accepted for any errors, omissions or incorrect assumptions.

**Wavin** 950 Winter Street, South Entrance 1st Floor, Waltham, MA 02451, United States | 5700 Côte de Liesse Montréal, QC H4T 1B1  
Phone CAN 514-735-7585 / 1800-561-1169 | US 514-735-3632 / 1800-763-3632 | E-mail [wavin.northamerica@wavin.com](mailto:wavin.northamerica@wavin.com) | [wavin.us](http://wavin.us)

© 2024 **Wavin** Wavin reserves the right to make alterations without prior notice. Due to continuous product development, changes in technical specifications may change. Installation must comply with the installation instructions.